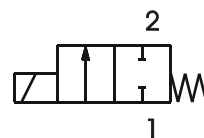


2/2 way solenoid valve normally closed

**type 27, brass body
direct operated, DN 16-25mm, G3/8 – G1**



SPECIFICATION	
general	
type of construction	2/2-poppet valve, normally closed NC, coil 360° rotatable
operator	solenoid
ports	G3/8 – G1
ambient temperature	-5 °C to +50 °C
fluid temperature	dependent on sealing material and coil
viscosity	max. 37 mm ² /s (cst) or 5° E
material	body: brass inner parts: stainless steel sealing: see type selection
mounting	installation into fixed piping systems
installation	only with vertical fixed solenoid coil
unit of supply	without connector according to DIN EN 175301-803A (DIN 43650A)
electrical data	
voltage	DC voltage or AC voltage
standard voltage	24V DC, 24V AC, 230V AC
special voltage on request	6V-200V DC, 12V-240V, 50Hz or 60Hz
acceptable voltage tolerance	+/- 10%
power consumption	see specifications at solenoid coils
coil type	temperature class F (155°C), winding class H (180°C)
duty cycle	100% ED (DB), continuous operation
protection class	IP65 according DIN EN 60529 (DIN 40050) with correctly mounted connector
pneumatic – hydraulic	
flow medium	all liquids and gases, which don't attack the used material
max. body housing pressure	PN 16 (bar)
response time	depending on operating pressure and fluid
operating frequency	max. 120 / min
special equipment on request	coil type with cable, manual override, bright nickel-plated or chemical nickel-plated

E & OE: We reserve the right to change design, dimensions or materials without notice.

type 27A, normally closed									
type * (order-nr.)	NW DN (mm)	ports	maximum differential pressure in mbar **						kv-value (m ³ /h)
			coil E3AE		coil F1AA		coil G1AA		
			~ (50Hz)	= (DC)	~ (50Hz)	= (DC)	~ (50Hz)	= (DC)	
27A-3.-A....	16	G3/8	320	250	500	340	1100	900	2,95
27A-4.-A....	16	G1/2	320	250	500	340	1100	900	3,05
27A-5.-A....	20	G3/4	170	100	280	170	650	480	4,7
27A-6.-A....	25	G1	100	60	200	90	300	170	7,4

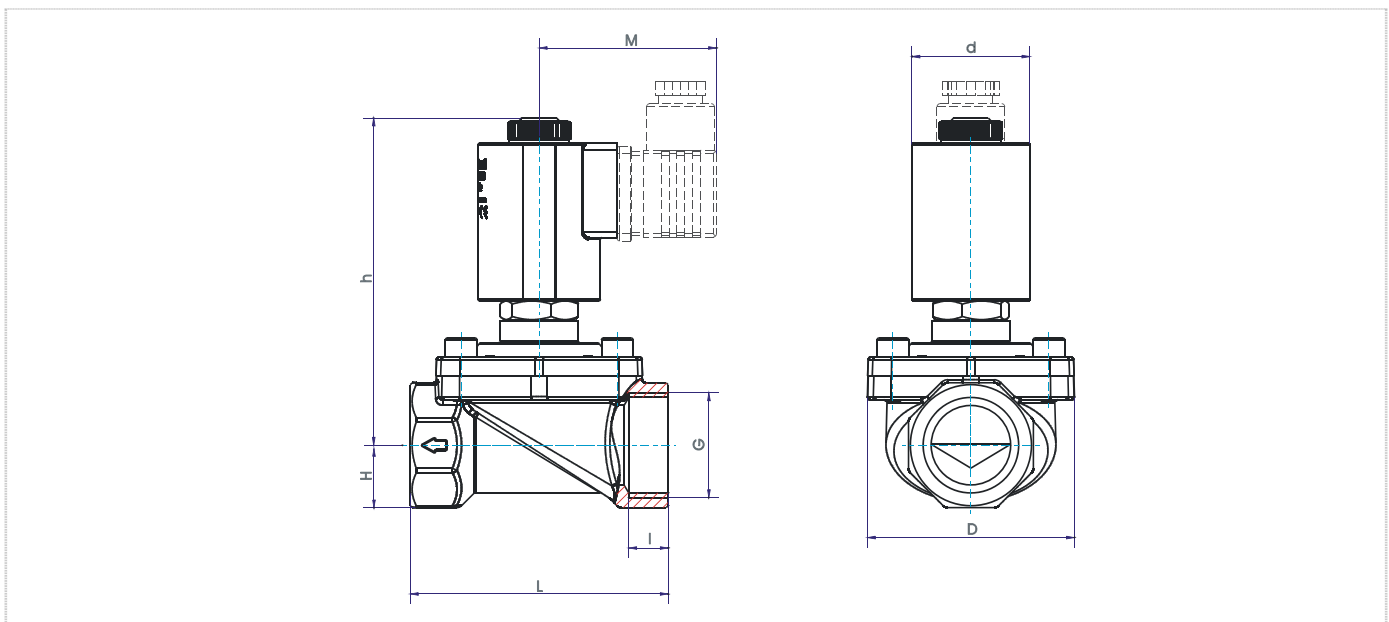
* Type designation (order-nr.) must be completed with sealing material, coil and supply voltage.

** At DC voltage all pressure specifications apply to a fluid temperature up to 80 °C. At higher fluid temperatures, the maximum differential pressure will be reduced by 0,5% / °C. All specifications refer to fluids with a maximum viscosity of 37 cst. (5°E). Higher viscosities cause extended response time and need a special specification of the valve.

sealing material	Code	fluid temperature	applicable for	standard voltage	Code
NBR (Perbunan)	B	max. 80°C	neutral gases and liquids	24V = DC	02400
EPDM	E	max. 130°C	hot water, steam, not for oil and grease	24V ~ (50Hz)	02450
FPM	V	max. 130°C	oil, petrol, oxygen	230V ~ (50Hz)	23050

coil power consumption at 20 °C, protection class, interface					
coil type	inrush power ~ (50Hz) VA	rated power ~ (50Hz) VA	power = (DC) (W)	protection class with/without connector	interface
E3AE	70	32	27	IP65 / IP00	DIN EN 175301-803A (DIN 43650A)
F1AA	70	35	27		
G1AA	80	40	32		

ORDER CODE	
	27 A - 6 B - A E3AE 02400
	type ——— function ——— ports ——— seal material ———
	supply voltage ——— coil type ——— short circuit ring ———
type	type 27, direct operated, body brass
function	A = normally closed
ports	3 = G3/8, 4 = G1/2, 5 = G3/4, 6 = G1
seal material	B = NBR (Perbunan), E = EPDM, V = FPM
short circuit ring	A = copper short circuit ring
coil type	see specifications of the particular coil
supply voltage	always 5-digit, see code of standard voltage



dimension table for type 27A in mm, weight approx. in kg																	
type	G	d			D	h			H	I	L	M			weight (approx. kg)		
		E3	F1	G1		E3	F1	G1				E3	F1	G1	E3	F1	G1
27A-3.-A	G3/8	36	39	46	45	87	97	120	13.5	12	60	54	55	61	0,53	0,54	0,71
27A-4.-A	G1/2				50	91	101	124	16	62	0,51				0,52	0,69	
27A-5.-A	G3/4				65	95	105	128	20	82	0,55				0,57	0,74	
27A-6.-A	G1				0,87	0,88	1,05										